

Front and rear flanges

Ordering code

ISO
1500.Ø.03F
steel

UNITOP
1580.Ø.03F
steel

1580.Ø.03/1F
aluminium

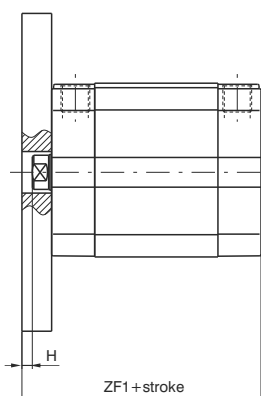
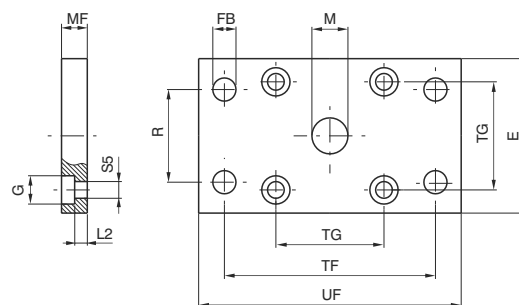
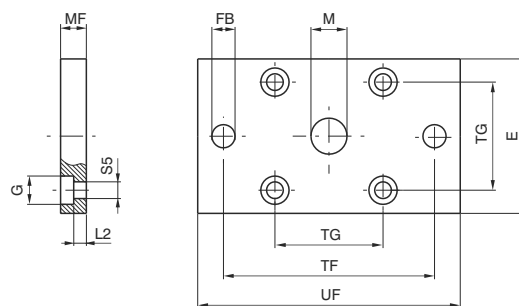


For bores from 12 to 25

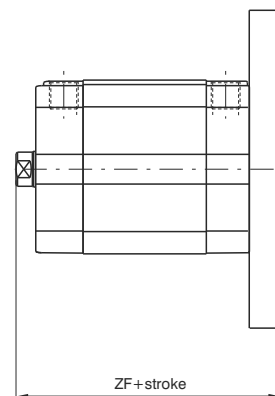


For bores from 32 to 100

Plate which allows anchorage of the cylinder at a right angle to the plane. It is made with zinc-plated extruded steel or with aluminium.



Front

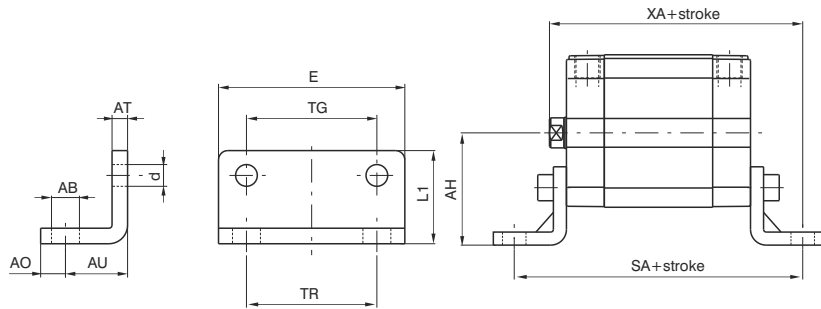
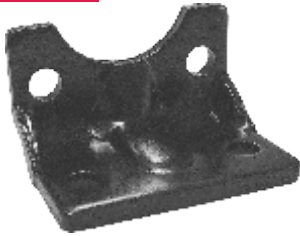


Rear

	ISO Dimensions						UNITOP Dimensions								
	32	40	50	63	80	100	12-16	20	25	32	40	50	63	80	100
Bore	32	40	50	63	80	100	12-16	20	25	32	40	50	63	80	100
E	45	52	65	75	95	115	29	36	40	50	60	68	87	107	128
S5 (H13)	6,6	6,6	9	9	11	11	4,5	5,5	5,5	6,6	6,6	9	9	11	11
FB(H13)	7	9	9	9	12	14	5,5	6,6	6,6	7	9	9	9	12	14
G	10,5	11	15	15	18	18	9	10	10	11	11	15	15	18	18
H	4	3,5	4,5	4,5	8	6	5,5	5,5	4,5	4	3,5	4,5	7,5	7	5
L2	5	5	6,5	6,5	8	8	4,6	4,6	4,6	3,6	3,6	3,4	6,4	4,4	4,4
M(H11)	30	35	40	45	45	55	10	12	12	14	14	18	18	23	28
MF(JS14)	10	10	12	12	16	16	10	10	10	10	10	12	15	15	15
R(JS14)	32	36	45	50	63	75	/	/	/	32	36	45	50	63	75
TF(JS14)	64	72	90	100	126	150	43	55	60	65	82	90	110	135	163
TG	32,5	38	46,5	56,5	72	89	18	22	26	32	42	50	62	82	103
UF	80	90	110	120	150	170	55	70	76	80	102	110	130	160	190
ZF	60,5	62	65	69,5	80	92,5	52,5	52,5	55	60,5	62	65	72,5	79	91,5
ZF1	54,5	55,5	57,5	62	72	82,5	48	48	49,5	54,5	55,5	57,5	65	71	81,5
Weight gr.	Steel	160	250	480	620	1430	100	170	210	270	430	600	1210	1810	2610
	Aluminium	/	/	/	/	/	35	60	70	90	150	210	420	630	900

Foot

Ordering code
ISO
1500.Ø.05/1F
(1 piece)
UNITOP
1580.Ø.05/1F
(1 piece)

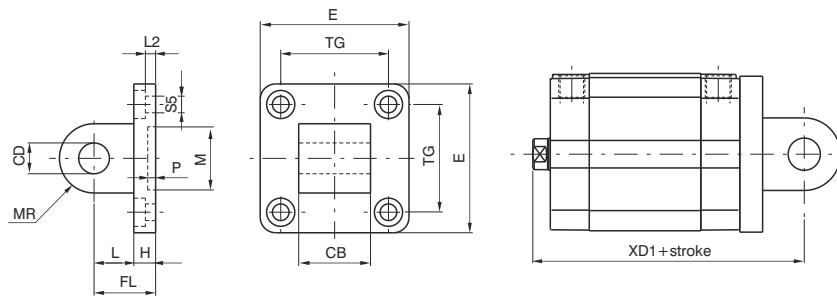
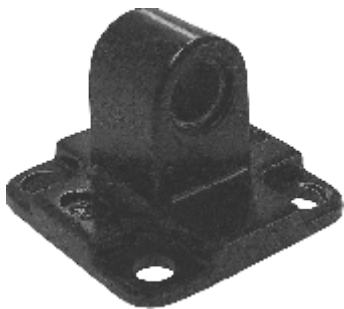


Element used to anchor the cylinder parallel to the mounting plane. They are made with stamped and pierced sheet metal black painted.

	ISO Dimensions						UNITOP Dimensions									
Bore	32	40	50	63	80	100	12-16	20	25	32	40	50	63	80	100	
AB (H14)	7	9	9	9	12	14	5.5	6.6	6.6	6.6	9	9	11	11	13.5	
AH (JS15)	32	36	45	50	63	71	22	27	30	32	42.5	47	59.5	65.5	78	
AO (±0.2)	11	8	15	13	14	16	4.5	6	6	8	8	8	12	12	12	
AT	4	4	5	5	6	6	3	4	4	5	5	6	6	8	8	
AU (±0.2)	24	28	32	32	41	41	13	16	16	18	20	24	27	30	33	
d	7	7	9	9	11	11	4.4	5.4	5.4	6.6	6.6	9	9	11	11	
E	45	52	65	75	95	115	30	36	40	50	60	68	84	102	123	
L1	30	30	36	35	47	53	17.5	22	23	24	29.5	30	39	36.5	38.5	
SA	92.5	101.5	109.5	114	138	148.5	64	70	71.5	80.5	85.5	93.5	104	116	132.5	
TG	32.5	38	46.5	56.5	72	89	18	22	26	32	42	50	62	82	103	
TR	32	36	45	50	63	75	18	22	26	32	42	50	62	82	103	
XA	74.5	80	85	89.5	105	117.5	55.5	58.5	61	68.5	72	77	84.5	94	109.5	
Weight gr.	50	70	120	180	320	400	20	35	45	75	100	150	250	390	500	

UNITOP rear male clevis for bores from 12 to 25

Ordering code
1580.Ø.09/1F (Aluminium)
1580.Ø.09/2F (Steel)



This type of mounting allows anchorage of the cylinder both parallel and at the right angle to the plane. The cylinder rod can oscillate and self-align to the connected load. It's made with aluminium alloy black painted or with zinc plated steel (from Ø 20).

Bore	12-16	20	25
CB(h14)	12	16	16
CD (H9)	6	8	8
E (±0.5)	27	34	38
FL	16	20	20
H	6	6	6
L	10	14	14
L2 (±0.5)	2.6	2.6	2.6
M (H11)	10	12	12
MR	6	8	8
P (+0.3)	3	3	3
S5 (H13)	4.5	5.5	5.5
TG (±0.2)	18	22	26
XD1	58.5	62.5	65
Weight gr.	Steel	70	80
	Aluminium	13	25

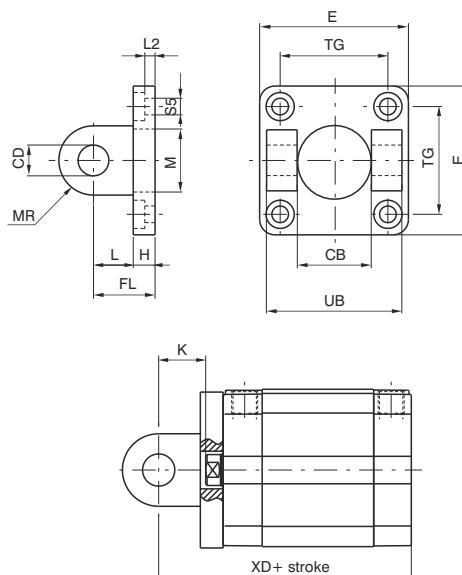
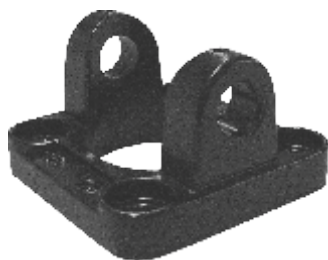
Front female clevis for bores from 32 to 100

Ordering code

ISO
Aluminium
1500.Ø.08F

UNITOP (Aluminium)
1580.Ø.11F

UNITOP (Steel)
1580.Ø.13F



This type of mounting allows anchorage of the cylinder both parallel and at the right angle to the plane. The cylinder rod can oscillate and self-align to the connected load. It's made with aluminium alloy black painted or with zinc plated steel.

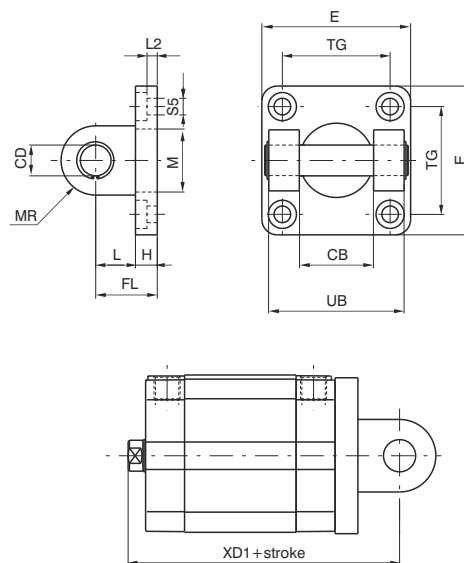
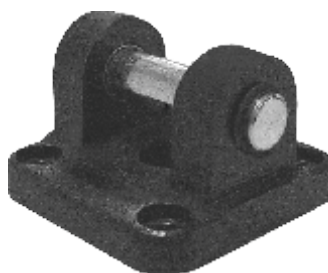
Rear female clevis for bores from 32 to 100

Ordering code

ISO
Aluminium
1500.Ø.09F

UNITOP (Aluminium)
1580.Ø.10F

UNITOP (Steel)
1580.Ø.12F



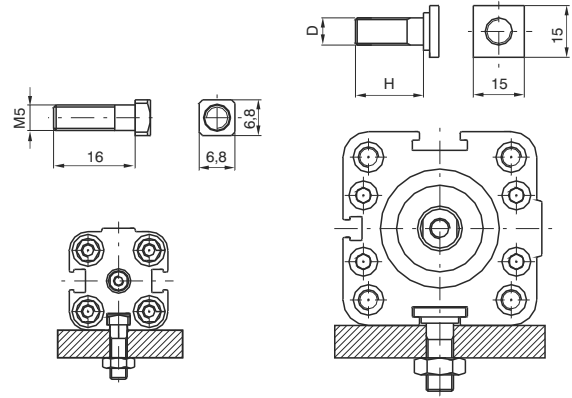
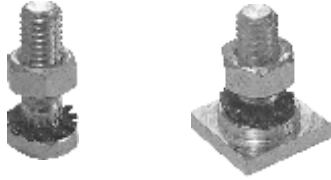
This type of mounting allows anchorage of the cylinder both parallel and at the right angle to the plane. The cylinder rod can oscillate and self-align to the connected load. It's made with aluminium alloy black painted or with zinc plated steel.

		ISO Dimensions					UNITOP Dimensions							
Bore		32	40	50	63	80	100	32	40	50	63	80	100	
CB (H14)		26	28	32	40	50	60	26	28	32	40	50	60	
CD (H9)		10	12	12	16	16	20	10	12	12	16	16	20	
E		45	52	65	75	95	115	48	58	66	83	102	123	
FL		22	25	27	32	36	41	22	25	27	32	36	41	
H		9	9	11	11	14	14	9	9	11	11	13	15	
K		16	18.5	19.5	24.5	28	31	16	18.5	19.5	24.5	28	31	
L		13	16	16	21	22	27	13	16	16	21	23	26	
L2		5.5	5.5	6.5	6.5	10	10	5.5	5.5	6.5	6.5	10	10	
M		30	35	40	45	45	55	14	14	18	18	23	28	
MR		10	12	12	16	16	20	10	12.5	12.5	15	15	20	
S5		6.6	6.6	9	9	11	11	6.6	6.6	9	9	11	11	
TG		32.5	38	46.5	56.5	72	89	32	42	50	62	82	103	
UB		45	52	60	70	90	110	45	52	60	70	90	110	
XD		66.5	70.5	72.5	82	92	107.5	66.5	70.5	72.5	82	92	107.5	
XD1		72.5	77	80	89.5	100	117.5	72.5	77	80	89.5	100	117.5	
Weight gr.	Steel	Front	/	/	/	/	/	/	180	310	420	700	1240	2210
		Rear	/	/	/	/	/	/	220	360	480	830	1390	2500
	Alum.	Front	40	70	120	170	360	570	65	110	145	240	430	770
		Rear	80	120	180	300	500	860	80	125	170	290	480	865

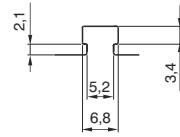
Slot fixing screws

Ordering code

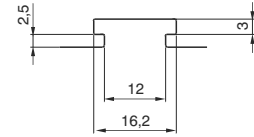
- 1500.17F** small slot (from Ø12 to Ø50)
- 1500.15F** large slot (Ø32)
- 1500.16F** large slot (from Ø40 to Ø63)
- 1500.18F** large slot (from Ø80 to Ø100)



Example of mounting with square head screws



Small slot detail



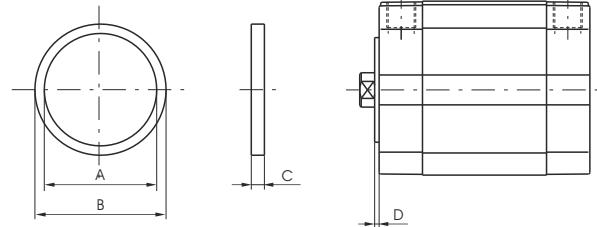
Large slot detail

Bore	12 - 50	32	40 - 63	80 - 100
D	/	M6	M8	M10
H	/	15	20	25
Weight gr.	8	10	18	25

Centering rings

Ordering code

1580.Ø.02F



This aluminium ring allows the center assembling of the cylinder.

Bore	32	40	50	63	80	100
A	25	30	35	40	40	50
B (e11)	30	35	40	45	45	55
C	3,5	3,5	3,5	4,5	5,5	5,5
D	1,5	1,5	1,5	2	2,5	2,5
Weight gr.	2	2	3	4	5	6

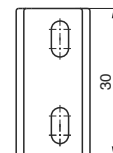
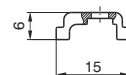
Sensor adapter

Ordering code

1380.01F



Weight gr. 2



Nylon accessory for sensor mounting 1580._, MRS._, MHS._ inside "A" shape.