



Ordering code

6312.Ø.D

- 16
- 20
- 25
- 32
- 40
- 50
- 63
- 80
- 100
- 125

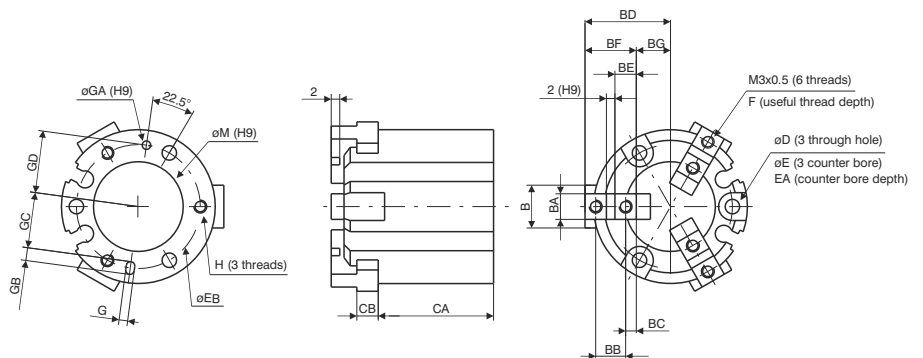
Construction characteristics

Body	aluminium
Piston	aluminium
Wedge	steel
Fingers	steel

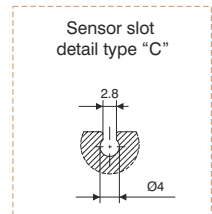
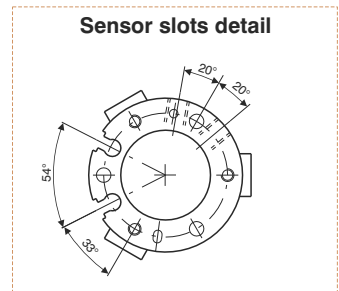
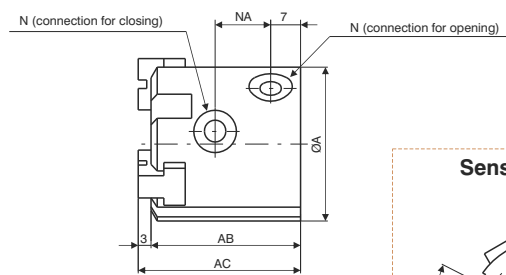
Technical characteristics

Function	double acting
Fluid	filtered and non lubricated air
Working pressure	2 - 6 bar (Ø16 - Ø20 - Ø25) - 1 - 6 bar (Ø32 - Ø125)
Working temperature	-5°C - +70°C
Maximum operating frequency	from Ø 16 to Ø 25, 120 cycles/minute from Ø 32 to Ø 63, 60 cycles/minute from Ø 80 to Ø 125, 30 cycles/minute

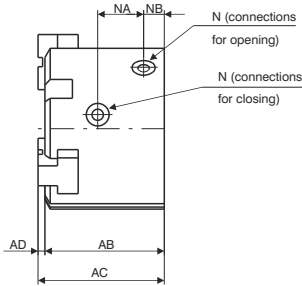
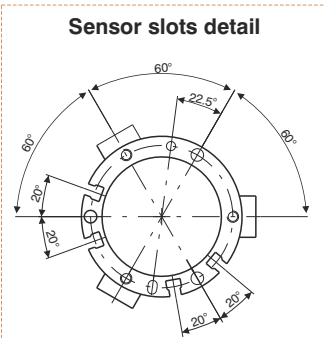
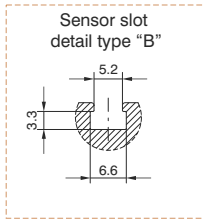
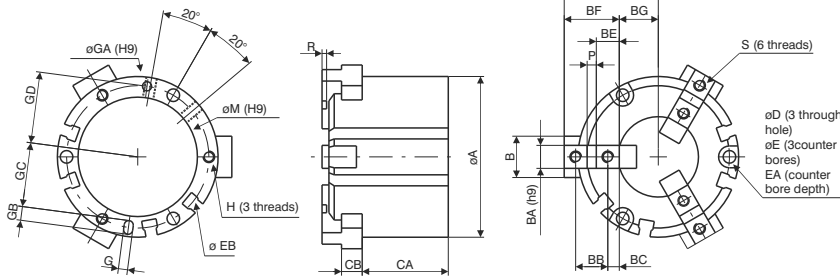
Overall dimensions Ø16 - Ø25



Bore	Ø16	Ø20	Ø25
ØA	30	36	42
AB	32	35	37
AC	35	38	40
B	8	10	12
BA ^{H9}	5	6	6
BB	6	7	8
BC	2	2.5	3
BD	open 17 close 15	20 18	24 21
BE	4	5	6
BF	10	12	14
BG	open 7 close 5	8 6	10 7
CA	25	27	28
CB	4	5	5
D	3.4	3.4	4.5
E	6.5	6.5	8
EA	8	9.5	10
EB	25	29	34
F	5	6	6
G ^{H9}	2	2	3
Useful depth	2	2	3
ØGA ^{H9}	2	2	3
Useful depth	2	2	3
GB	3	3	5
GC	11	13	14.5
GD	12.5	14.5	17
H	M3x0.5	M3x0.5	M4x0.7
Useful depth	4.5	6	6
ØM ^{H9}	17	21	26
Useful depth	1.5	1.5	1.5
N	M3x0.5	M5x0.8	M5x0.8
NA	11	13	15
Weight (gr)	62	98	139

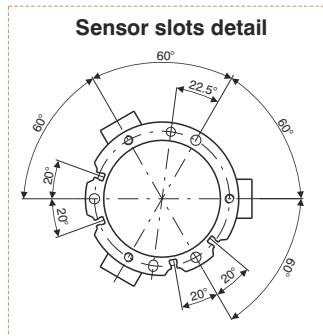
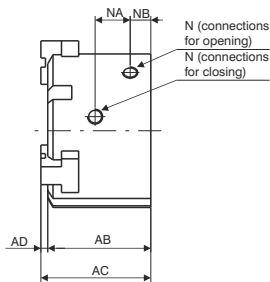
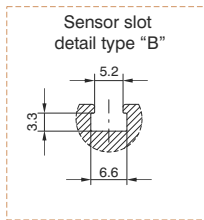
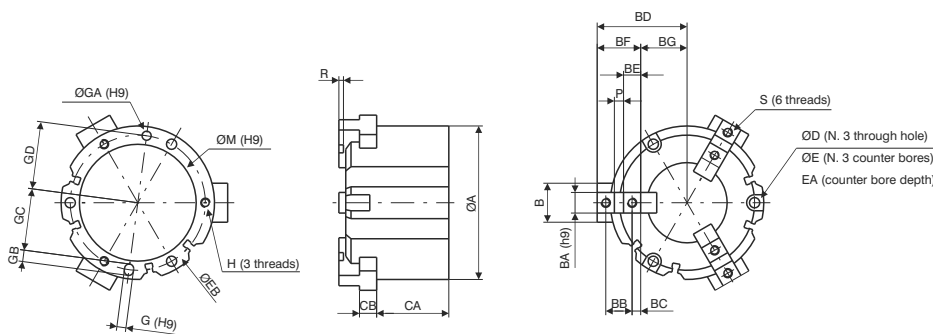


Overall dimensions Ø32 and Ø80



Bore	Ø32	Ø40	Ø50	Ø63	Ø80
ØA	52	62	70	86	106
AB	41	44	52	62	77
AC	44	47	55	66	82
AD	3	3	3	4	5
B	14	16	18	24	28
BA ^{H9}	8	8	10	12	14
BB	11	12	14	17	20
BC	4.5	4.5	5	5.5	6
BD	open: 32	open: 35	open: 41	open: 51	open: 63.5
BD	closed: 28	closed: 31	closed: 35	closed: 43	closed: 53.5
BE	9	9	10	11	12
BF	20	21	24	28	32
BG	open: 12	open: 14	open: 17	open: 23	open: 31.5
BG	closed: 8	closed: 10	closed: 11	closed: 15	closed: 21.5
CA	30.5	32	37.5	44	56
CB	6	7	9	11	12
D	4.5	5.5	5.5	6.6	6.6
E	8	9.5	9.5	11	11
EA	9	9	12	14	19
EB	44	53	62	76	95
H	M4x0.7	M5x0.8	M5x0.8	M6x1	M6x1
H	Useful depth: 6	Useful depth: 7.5	Useful depth: 10	Useful depth: 9	Useful depth: 12
G ^{H9}	3	4	4	5	6
G ^{H9}	Useful depth: 3	Useful depth: 4	Useful depth: 4	Useful depth: 5	Useful depth: 6
ØGA ^{H9}	3	4	4	5	6
ØGA ^{H9}	Useful depth: 3	Useful depth: 4	Useful depth: 4	Useful depth: 5	Useful depth: 6
GB	5	6	6	7	8
GC	19.5	23.5	28	34.5	43.5
GD	22	26.5	31	38	47.5
N	M5x0.8	M5x0.8	M5x0.8	M5x0.8	G1/8
N	Useful depth: 34	Useful depth: 42	Useful depth: 52	Useful depth: 65	Useful depth: 82
ØM ^{H9}	2	2	2	2.5	3
ØM ^{H9}	Useful depth: 16	Useful depth: 17	Useful depth: 20	Useful depth: 22	Useful depth: 27
NA	8	9	9	12	13.5
NB	2	3	4	6	8
P ^{H9}	2	2	2	3	4
R	M4x0.7	M4x0.7	M5x0.8	M5x0.8	M6x1
R	Useful depth: 8	Useful depth: 8	Useful depth: 10	Useful depth: 10	Useful depth: 12
S	8	8	10	10	12
Weight (gr)	240	354	542	1000	1850

Overall dimensions Ø100 and Ø125



Bore	Ø100	Ø125
ØA	134	166
AB	90	114
AC	96	122
AD	6	8
B	34	40
BA ^{H9}	18	22
BB	23	31
BC	7.5	10.5
BD	open: 78	open: 98
BD	close: 66	close: 82
BE	15	21
BF	38	52
BG	open: 40	open: 46
BG	close: 28	close: 30
CA	63	84
CB	15	18
ØD	9	11
ØE	14	17.5
EA	21	34
EB	118	148
G ^{H9}	8	10
G ^{H9}	Useful depth: 6	Useful depth: 8
ØGA ^{H9}	8	10
ØGA ^{H9}	Useful depth: 6	Useful depth: 8
GB	10	12
GC	54	68
GD	59	74
H	M8x1.25	M10x1.5
H	Useful depth: 16	Useful depth: 20
ØM ^{H9}	102	130
ØM ^{H9}	Useful depth: 4	Useful depth: 6
N	G1/4	G3/8
NA	30.6	38
NB	18	23.5
P ^{H9}	8	10
R	4	6
S	M8x1.25	M10x1.5
S	Useful depth: 16	Useful depth: 20
Weight (gr)	3360	6430

Gripping force (N)

